

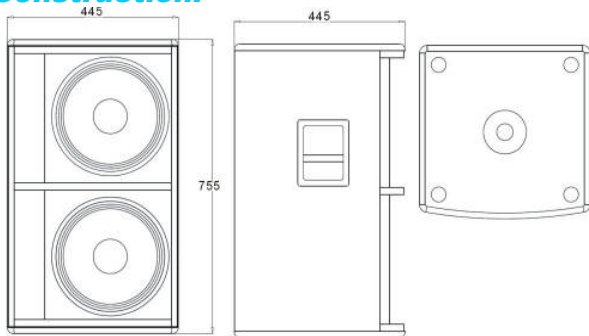
Key Features

- High Power dual 12" Active Subwoofer
- Strong and vigorous bass
- All solid birch plywood
- Attractive and professional appearance
- Threaded pole socket
- Easy transporting wheels
- Built In Power Amplifier

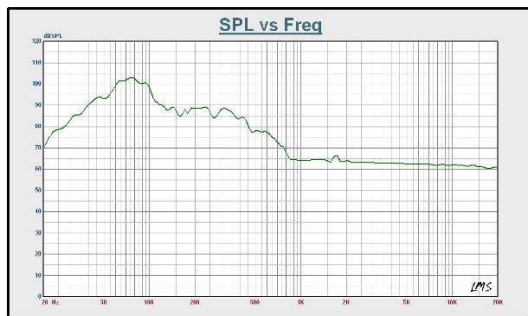
Product View



Construction:



Frequency curve



Specification:

D POWER SUB S212

Type	Dual 12" Active Subwoofer
AMP Type	Class AB
	Inside Crossover 40-300Hz. No need for extra crossover.
	Line in: Multi-function Caron x 2
	Line Out: XLR x 2
	Control: Volume Control
Voltage changeover switch:	115V/230V
Peak Power	1200W
RMS Power	600W
Impedance	4 ohms
Sensitivity	99 dB
SPL	107 dB
Cabinet Material	All Birch Plywood
Finish:	Texture coating
Dimension:	445*445*755mm